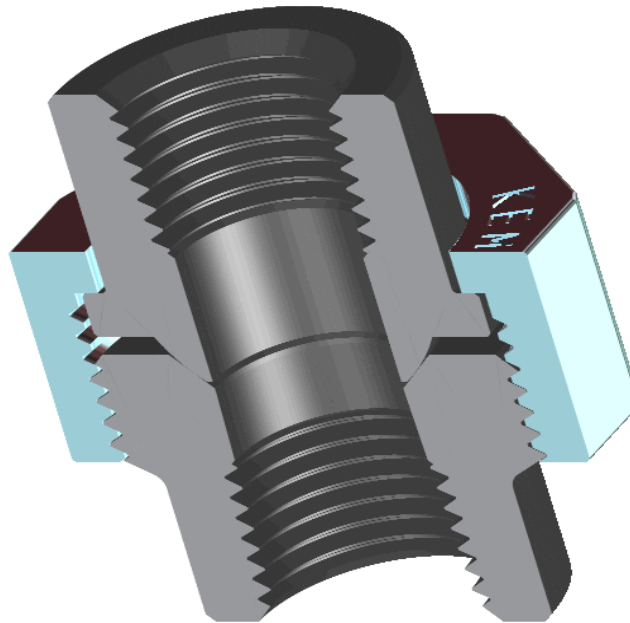


# INDUSTRIAL UNIONS

## PRICE LIST IN-0708

Effective July 1, 2008  
Current Revision - G  
Supersedes IN-0107  
Dated 6/23/08



**KEMPER**  
VALVE & FITTINGS  
CORPORATION

#### MANUFACTURING

P.O. Box 400 Wauconda, Illinois 60084 phone: 847-526-2166 or 800-323-1659 fax: 847-526-2241

#### SALES - WAREHOUSE

5650 Guhn Road, Suite 110 Houston, Texas 77040 phone: 713-462-1665 or 800-231-2724 fax: 713-462-1626

#### FLOW LINE DIVISION

2733 Industrial Drive Sulphur, Oklahoma 73086 phone: 580-622-2048 or 888-533-3722 fax: 580-622-2058

#### CANADA

8001 Edgar Industrial Avenue A1-Bay 1 Red Deer, Alberta T4P 3S2 phone: 403-348-0872 fax: 403-348-0873

#### ROCKY MOUNTAINS

1423 4th Avenue Grand Junction, Colorado 81501 phone: 970-609-5845 fax: 970-609-5839



# FORGED STEEL INDUSTRIAL UNIONS

## 3000# Threaded End AAR Unions ASTM A-105

SEAT	FINISH		1/4"	3/8"	1/2"	3/4"	1"	1 1/4"	1 1/2"	2"	2 1/2"	3"
<b>STEEL TO STEEL</b>	BLACK	PART NO.	704100	706100A	708100A	712100	716100	720100	724100	732100	740100	748100
		<b>LIST PRICE</b>	<b>32.00</b>	<b>32.00</b>	<b>26.95</b>	<b>32.45</b>	<b>42.40</b>	<b>72.15</b>	<b>82.30</b>	<b>106.90</b>	<b>283.90</b>	<b>325.50</b>
		WEIGHT EA.	0.338	0.720	0.686	1.170	1.666	2.500	3.228	5.000	8.142	11.750
<b>BRONZE TO STEEL</b>	BLACK	PART NO.	704300	706300A	708300A	712300	716300	720300	724300	732300	-	-
		<b>LIST PRICE</b>	<b>42.90</b>	<b>42.90</b>	<b>42.90</b>	<b>57.00</b>	<b>66.30</b>	<b>103.80</b>	<b>108.40</b>	<b>128.70</b>	-	-
		WEIGHT EA.	0.338	0.720	0.686	1.170	1.666	2.500	3.228	5.000	-	-
<b>BRONZE TO BRONZE</b>	BLACK	PART NO.	704400	706400A	708400A	712400	716400	720400	724400	732400	-	-
		<b>LIST PRICE</b>	<b>60.10</b>	<b>60.10</b>	<b>60.10</b>	<b>79.40</b>	<b>83.50</b>	<b>111.60</b>	<b>120.90</b>	<b>160.80</b>	-	-
		WEIGHT EA.	0.338	0.720	0.686	1.170	1.666	2.500	3.228	5.000	-	-

## 3000# Socket Weld AAR Unions ASTM-105

SEAT	FINISH		1/4"	3/8"	1/2"	3/4"	1"	1 1/4"	1 1/2"	2"	2 1/2"	3"
<b>STEEL TO STEEL</b>	BLACK	PART NO.	704110	706110A	708110A	712110	716110	720110	724110	732110	740110	748110
		<b>LIST PRICE</b>	<b>37.05</b>	<b>37.05</b>	<b>31.90</b>	<b>36.25</b>	<b>46.65</b>	<b>76.60</b>	<b>81.55</b>	<b>112.50</b>	<b>301.15</b>	<b>363.05</b>
		WEIGHT EA.	0.338	0.720	0.686	1.170	1.666	2.500	3.228	5.000	8.142	11.750

Where electro-galvanized unions are not shown, add 25% to black union list.

See back page for full box, half box, and quarter box quantities.

### 3000# Screwed High Speed Unions ASTM A-105

SEAT	FINISH		1/4"	3/8"	1/2"	3/4"	1"	1 1/4"	1 1/2"	2"	2 1/2"	3"
STEEL	BLACK	PART NO.	-	-	908100A	912100	916100	920100	924100	932100	940100	948100
TO		LIST PRICE	-	-	39.40	47.90	57.00	92.90	107.40	137.70	262.80	394.90
STEEL		WEIGHT EA.	-	-	0.686	1.170	1.666	2.500	3.228	5.000	8.142	11.750
O'RING	BLACK	PART NO.	904500	-	908500A	912500	916500	920500	924500	932500	940500	948500
TO		LIST PRICE	30.50	-	40.90	51.70	68.10	90.50	110.50	139.10	266.50	398.80
STEEL		WEIGHT EA.	0.338	-	0.686	1.170	1.666	2.500	3.228	5.000	8.142	11.750
O'RING	BLACK	PART NO.	904600	-	908600A	912600	916600	920600	924600	932600	940600	948600
** TO		NET EACH	31.60	-	40.90	45.70	49.40	88.10	71.90	83.50	316.80	475.30
INSULATED		WEIGHT EA.	0.338	-	0.686	1.170	1.666	2.500	3.228	5.000	8.142	11.750

\*\* THESE ARE "NET" PRICES-DO NOT QUOTE A DISCOUNT

### 3000# Socket Weld High Speed Unions ASTM A-105

SEAT	FINISH		1/4"	3/8"	1/2"	3/4"	1"	1 1/4"	1 1/2"	2"	2 1/2"	3"
STEEL	BLACK	PART NO.	-	906110A	908110A	912110	916110	920110	924110	932110	940110	948110
TO		LIST PRICE	-	48.70	48.70	60.20	68.10	99.00	109.80	152.20	370.90	428.10
STEEL		WEIGHT EA.	-	0.720	0.686	1.170	1.666	2.500	3.228	5.000	8.142	11.750
O'RING	BLACK	PART NO.	-	906510A	908510A	912510	916510	920510	924510	932510	940510	948510
TO		LIST PRICE	-	51.10	51.10	66.40	74.10	109.80	133.70	180.10	393.40	521.60
STEEL		WEIGHT EA.	-	0.720	0.686	1.170	1.666	2.500	3.228	5.000	8.142	11.750

### Add to List Price of any O'Ring Union

SEE O'RING LIST PRICES PAGE 5

		1/4"	3/8"	1/2"	3/4"	1"	1 1/4"	1 1/2"	2"	2 1/2"	3"
TEFLON OR VITON O'RING	LIST PRICE	-	7.80	7.80	7.80	8.50	9.20	17.70	20.10	24.60	29.40

### 3000# Orifice Unions (Non-Tabbed Style)

SEAT	FINISH		1/4"	3/8"	1/2"	3/4"	1"	1 1/4"	1 1/2"	2"	2 1/2"	3"
STEEL	SC	PART NO.	704104	-	708104A	712104	716104	720104	724104	732104	-	-
TO		LIST PRICE	44.20	-	47.10	56.50	62.40	85.10	98.20	127.50	-	-
STEEL		WEIGHT EA.	0.338	-	0.686	1.170	1.666	2.500	3.228	5.000	-	-
STEEL	SW	PART NO.	704114	-	708114A	712114	716114	720114	724114	732114	-	-
TO		LIST PRICE	48.70	-	54.20	65.00	71.90	96.60	112.80	146.80	-	-
STEEL		WEIGHT EA.	0.338	-	0.686	1.170	1.666	2.500	3.228	5.000	-	-
BRONZE	SC	PART NO.	704304	-	708304A	712304	716304	720304	724304	732304	-	-
TO		LIST PRICE	54.80	-	71.90	95.90	105.00	122.10	133.70	161.40	-	-
STEEL		WEIGHT EA.	0.338	-	0.686	1.170	1.666	2.500	3.228	5.000	-	-

### 3000# Tabbed Orifice Unions

SEAT	FINISH		1/4"	3/8"	1/2"	3/4"	1"	1 1/4"	1 1/2"	2"	2 1/2"	3"
STEEL	SC	PART NO.	-	-	708105A	712105	716105	720105	724105	732105	-	-
TO		LIST PRICE	-	-	63.30	78.10	89.70	125.20	136.00	161.40	-	-
STEEL		WEIGHT EA.	-	-	0.686	1.170	1.666	2.500	3.228	5.000	-	-
STEEL	SW	PART NO.	-	-	708115A	712115	716115	720115	724115	732115	-	-
TO		LIST PRICE	-	-	79.40	89.70	95.90	135.30	149.20	187.70	-	-
STEEL		WEIGHT EA.	-	-	0.686	1.170	1.666	2.500	3.228	5.000	-	-

DRILLING CHARGE: \$3.75 each net with minimum hole size 1/64" through 1". \$5.00 each net with hole size over 1".

NOTE: Kemper "ORIFICE CUP" Unions do not require gasket materials to seal and are therefore only subject to the temperature limitation of the union.

### 3000# Male / Female Unions

SEAT	FINISH		1/4"	3/8"	1/2"	3/4"	1 "	1 1/4"	1 1/2"	2"	2 1/2"	3"
<b>STEEL</b> TO <b>STEEL</b>	AAR	PART NO.	704120	706120A	708120A	712120	716120	720120	724120	732120	-	-
		LIST PRICE	<b>59.60</b>	<b>64.40</b>	<b>74.90</b>	<b>89.80</b>	<b>104.40</b>	<b>141.10</b>	<b>220.30</b>	<b>318.60</b>	-	-
		WEIGHT EA.	0.34	0.72	0.69	1.17	1.67	2.50	3.23	5.00	-	-
<b>BRONZE</b> TO <b>STEEL</b>	AAR	PART NO.	704320	706320A	708320A	712320	716320	720320	724320	732320	-	-
		LIST PRICE	<b>79.10</b>	<b>79.10</b>	<b>79.10</b>	<b>96.20</b>	<b>115.90</b>	<b>150.10</b>	<b>247.00</b>	<b>363.60</b>	-	-
		WEIGHT EA.	0.34	0.72	0.69	1.17	1.67	2.50	3.23	5.00	-	-

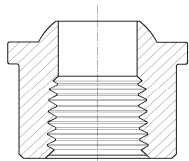
**\*\* THESE ARE NET PRICES-DO NOT QUOTE A DISCOUNT**

### 3000# Screwed Lug Nut Union ASTM A-105

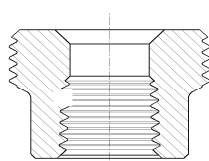
SEAT	FINISH		1/4"	3/8"	1/2"	3/4"	1 "	1 1/4"	1 1/2"	2"	2 1/2"	3"
<b>** STEEL</b> TO <b>STEEL</b>	BLACK	PART NO.	-	806100A	808100A	812100	816100	820100	824100	832100	840100	848100
		NET EACH	-	<b>18.70</b>	<b>18.70</b>	<b>17.70</b>	<b>22.50</b>	<b>37.10</b>	<b>36.30</b>	<b>42.50</b>	<b>80.30</b>	<b>124.30</b>
		WEIGHT EA.	-	0.60	1.00	1.40	1.80	2.93	4.00	6.20	10.25	14.40
<b>** O'RING</b> TO <b>STEEL</b>	BLACK	PART NO.	-	806500A	808500A	812500	816500	820500	824500	832500	-	848500
		NET EACH	-	<b>19.20</b>	<b>19.20</b>	<b>23.20</b>	<b>25.50</b>	<b>47.10</b>	<b>41.70</b>	<b>46.30</b>	-	<b>139.80</b>
		WEIGHT EA.	-	0.60	1.00	1.40	1.80	2.93	4.00	6.20	-	14.40
<b>** O'RING</b> TO <b>INSULATED</b>	BLACK	PART NO.	-	-	808600A	812600	816600	820600	824600	832600	-	848600
		NET EACH	-	-	<b>46.30</b>	<b>61.20</b>	<b>53.20</b>	<b>125.20</b>	<b>79.40</b>	<b>85.80</b>	-	<b>255.80</b>
		WEIGHT EA.	-	-	1.00	1.40	1.80	2.93	4.00	6.20	-	14.40

### 3000# Socket Weld Lug Nut Union ASTM A-105

SEAT	FINISH		1/4"	3/8"	1/2"	3/4"	1 "	1 1/4"	1 1/2"	2"	2 1/2"	3"
<b>** STEEL</b> TO <b>STEEL</b>	BLACK	PART NO.	-	806110A	808110A	812110	816110	820110	824110	832110	-	848110
		NET EACH	-	<b>28.60</b>	<b>28.60</b>	<b>20.10</b>	<b>25.50</b>	<b>40.90</b>	<b>42.50</b>	<b>61.90</b>	-	<b>163.10</b>
		WEIGHT EA.	-	0.60	1.00	1.40	1.80	2.93	4.00	6.20	-	14.40
<b>** O'RING</b> TO <b>STEEL</b>	BLACK	PART NO.	-	806510A	808510A	812510	816510	820510	824510	832510	-	848510
		NET EACH	-	<b>34.80</b>	<b>33.30</b>	<b>28.60</b>	<b>33.30</b>	<b>51.10</b>	<b>47.90</b>	<b>65.00</b>	-	<b>177.90</b>
		WEIGHT EA.	-	0.60	1.00	1.40	1.80	2.93	4.00	6.20	-	14.40



**MALE ENDS  
ALL TYPES**



**FEMALE ENDS  
ALL TYPES**

## SPARE PARTS 3000# Forged Steel Unions

### Male Ends - All Types

		1/4"	3/8"	1/2"	3/4"	1 "	1 1/4"	1 1/2"	2"	2 1/2"	3"
<b>SCREWED</b>	PART NO.	704101	706101A	708101A	712101	716101	720101	724101	732101	-	748101
	LIST PRICE	<b>8.70</b>	<b>8.70</b>	<b>8.70</b>	<b>10.90</b>	<b>14.10</b>	<b>24.30</b>	<b>24.30</b>	<b>27.30</b>	-	<b>90.50</b>
<b>SOCKET WELD</b>	PART NO.	704111	706111A	708111A	712111	716111	720111	724111	732111	-	748111
	LIST PRICE	<b>10.90</b>	<b>10.90</b>	<b>10.90</b>	<b>13.40</b>	<b>17.20</b>	<b>29.60</b>	<b>29.60</b>	<b>34.20</b>	-	<b>110.70</b>
<b>INSULATED</b>	PART NO.	-	-	908801A	912801	916801	920801	924801	932801	-	948801
	LIST PRICE	-	-	<b>14.10</b>	<b>17.20</b>	<b>22.70</b>	<b>38.50</b>	<b>38.50</b>	<b>44.60</b>	-	<b>144.30</b>

## Female Ends - All Types

		1/4"	3/8"	1/2"	3/4"	1 "	1 1/4"	1 1/2"	2"	2 1/2"	3"
SCREWED	PART NO.	704102	706102A	708102A	712102	716102	720102	724102	732102	740102	748102
	LIST PRICE	10.20	10.20	10.20	12.50	16.40	25.00	25.00	28.10	55.50	94.30
SOCKET WELD	PART NO.	704112	706112A	708112A	712112	716112	720112	724112	732112	740112	748112
	LIST PRICE	13.40	13.40	13.40	14.10	18.80	32.00	32.00	39.00	97.40	135.00
BRONZE TO STEEL	PART NO.	704302	706302A	708302A	712302	716302	720302	724302	732302	-	-
	LIST PRICE	26.40	26.40	26.40	39.00	42.20	48.40	54.00	56.20	-	-

## Lug and High Speed Type

		1/4"	3/8"	1/2"	3/4"	1 "	1 1/4"	1 1/2"	2"	2 1/2"	3"
SCREWED	PART NO.	-	906102A	908102A	912102	916102	920102	924102	932102	940102	948102
	LIST PRICE	-	10.20	11.80	14.10	17.20	25.00	27.30	40.60	85.80	118.50
SOCKET WELD	PART NO.	-	906112A	908112A	912112	916112	920112	924112	932112	940112	948112
	LIST PRICE	-	13.40	14.90	16.40	20.40	33.60	34.20	51.40	137.20	153.00

## O-Ring Type

		1/4"	3/8"	1/2"	3/4"	1 "	1 1/4"	1 1/2"	2"	2 1/2"	3"
SCREWED	PART NO.	-	906702A	908702A	912702	916702	920702	924702	932702	940702	948702
	LIST PRICE	-	11.80	11.80	14.10	17.20	23.30	25.90	40.60	99.70	141.20

## Nut Piece

### AAR Type

		1/4"	3/8"	1/2"	3/4"	1 "	1 1/4"	1 1/2"	2"	2 1/2"	3"
SCREWED or SOCKET WELD	PART NO.	704293	706293A	708293A	712293	716293	720293	724293	732293	740293	748293
	LIST PRICE	8.70	8.70	8.70	8.70	10.90	21.80	21.80	32.90	52.30	70.30

## High Speed Type

		1/4"	3/8"	1/2"	3/4"	1 "	1 1/4"	1 1/2"	2"	2 1/2"	3"
SCREWED or SOCKET WELD	PART NO.	-	906293A	908293A	912293	916293	920293	924293	932293	940293	949293
	LIST PRICE	-	14.10	14.10	15.60	19.70	28.80	29.60	43.60	65.50	94.30

## Lug Type

		1/4"	3/8"	1/2"	3/4"	1 "	1 1/4"	1 1/2"	2"	2 1/2"	3"
SCREWED or SOCKET WELD	PART NO.	-	806293A	808293A	812293	816293	820293	824293	832293	840293	848293
	LIST PRICE	-	17.20	18.80	23.30	36.80	51.40	59.40	68.60	127.20	127.20

## Blank Orifice Cups

		1/4"	3/8"	1/2"	3/4"	1 "	1 1/4"	1 1/2"	2"	2 1/2"	3"
CUP TYPE	PART NO.	704994	-	708994	712994	716994	720994	724994	732994	-	-
	LIST PRICE	4.80	-	5.50	7.20	7.80	9.30	11.80	13.40	-	-
TABBED TYPE	PART NO.	-	-	708995	712995	716995	720995	724995	732995	-	-
	LIST PRICE	-	-	10.20	11.80	13.40	15.60	20.40	24.30	-	-

## O-Rings

		1/4"	3/8"	1/2"	3/4"	1 "	1 1/4"	1 1/2"	2"	2 1/2"	3"
BUNA	PART NO.	980000	-	980002	980003	980004	980005	980006	980007	980008	980009
	LIST PRICE	3.80	-	3.80	3.80	3.80	4.80	5.50	6.10	7.80	8.70
VITON	PART NO.	980010	-	980012	980013	980014	980015	980016	980017	980018	980019
	LIST PRICE	6.10	-	6.10	7.20	7.80	8.70	13.40	15.60	18.80	21.80
TEFLON	PART NO.	980020	-	980022	980023	980024	980025	980026	980027	980028	980029
	LIST PRICE	6.10	-	6.10	7.20	7.80	8.70	13.40	15.60	18.80	21.80



## Modular Packaging

Kemper packaging is designed for your convenience in ordering, shipping, receiving and storing. Boxes are 300 lb. test and stapled as a further safety precaution: And - they lend themselves to warehouse palletizing. A rust inhibitor provides you with a shelf protected product until used.

### FOR/3000# AAR UNIONS WITH OCTAGON NUT / MALE AND FEMALE UNIONS / HIGH SPEED UNIONS / BRONZE TO STEEL / BRONZE TO BRONZE UNIONS AND ORIFICE UNIONS

<b>Size</b>	1/4"	3/8"	1/2"	3/4'	1"	1 1/4"	1 1/2"	2"	2 1/2"	3"
<b>Quantity</b>	150	75	75	55	40	20	15	10	6	4
<b>Weight per Box</b>	68	54	52	65	67	50	49	50	60	50

### FOR / LUG NUT UNIONS / WITH O'RING

<b>Size</b>	-	3/8"	1/2"	3/4'	1"	1 1/4"	1 1/2"	2"	2 1/2"	3"
<b>Quantity</b>	-	75	75	50	30	20	12	6	5	3
<b>Weight per Box</b>	-	55	70	70	70	60	47	37	50	43

### TERMS - NET 30 DAYS

### FREIGHT ALLOWANCE

Freight Allowed on 500 lbs. in the U.S.and Canada, excluding Alaska, Hawaii and Puerto Rico.

Claims for shortages, errors, etc. must be made at the time of receipt of goods, otherwise no allowance will be made.

**NOTE:** "Price in effect" at time of shipment.

## WARRANTY

Every Kemper product is warranted to be free from manufacturing defects and will be replaced without charge should failure occur within one year after date of shipment.

Kemper makes no other warranty, either expressed or implied. Our liability is limited to our sale price of the particular product. In no event shall Kemper be liable for any consequential damages.

**ILLINOIS MANUFACTURING & ENGINEERING**

P.O. BOX 400  
WAUCONDA, ILLINOIS 60084  
Phone: 847-526-2166  
Toll Free: 800-323-1659  
Fax: 847-526-2241

**TEXAS SALES:**  
DISTRIBUTION & FLOWLINE

5650 GUHN ROAD, SUITE 110  
HOUSTON, TEXAS 77040  
Phone: 713-462-1665  
Toll Free: 800-231-2724  
Fax 713-462-1626

**OKLAHOMA SALES:**  
FLOWLINE & RECERTIFICATION

2733 INDUSTRIAL DR.  
SULPHUR, OK. 73086  
Phone: 580-622-2048  
Toll Free 888-533-FRAC  
Fax: 580-622-2058

**COLORADO SALES:**  
DISTRIBUTION & FLOWLINE

1423 4TH AVE.  
GRAND JUNCTION, CO 81501  
Phone: 970-609-5845  
Fax: 970-609-5839

**CANADIAN SALES:**  
DISTRIBUTION & FLOWLINE

8001 EDGAR INDUSTRIAL AVE.  
RED DEER, ALBERTA T4P 3S2  
Phone: 403-348-0872  
Fax: 403-348-0873

**WEST TEXAS SALES:**  
DISTRIBUTION & FLOWLINE

Phone: 915-563-1041  
Fax: 915-563-1042

**UTAH SALES:**  
DISTRIBUTION & FLOWLINE

Phone: 435-781-8258  
Fax: 435-781-3037

- REV. A: FIRST RELEASE
- REV. B: SUPERCEDES IN-0304
- REV. C: MODIFIED
- REV. D: SUPERCEDES IN-0904
- REV. E: SUPERCEDES IN-0305
- REV. F: SUPERCEDES IN-0706
- REV. G: MODIFIED AND SUPERCEDES IN-0708, REMOVED 3000# (STEEL TO STEEL - FINISH:GAL.)THREADED/SOCKET, MODIFIED BACKPAGE.