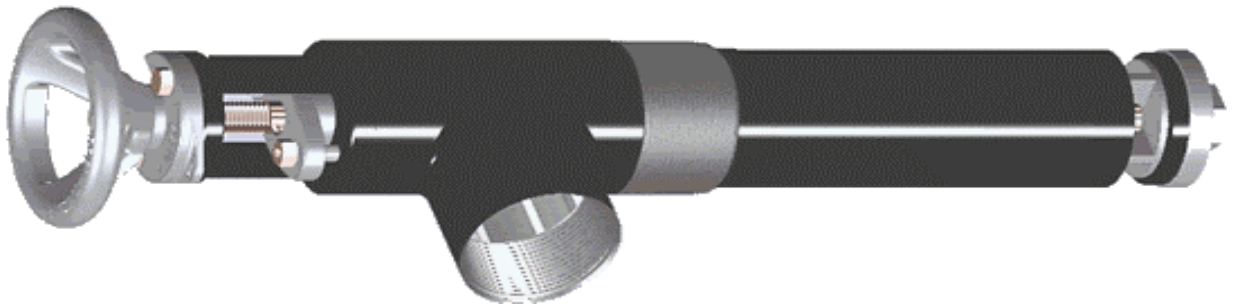


# TANK UNIONS / VALVES

## PRICE LIST OW-0708

Effective July 1, 2008  
Current Revision - I  
Supersedes OW-0107  
Date 6/30/08



**KEMPER**  
VALVE & FITTINGS  
CORPORATION

#### MANUFACTURING

P.O. Box 400 Wauconda, Illinois 60084 phone: 847-526-2166 or 800-323-1659 fax: 847-526-2241

#### SALES - WAREHOUSE

5650 Guhn Road, Suite 110 Houston, Texas 77040 phone: 713-462-1665 or 800-231-2724 fax: 713-462-1626

#### FLOW LINE DIVISION

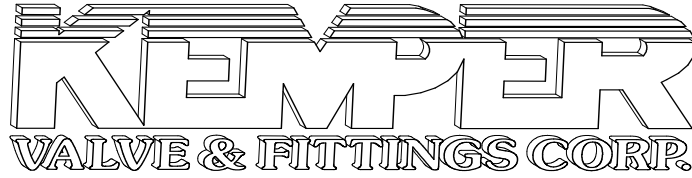
2733 Industrial Drive, Sulphur, Oklahoma 73086 phone: 580-622-2048 or 888-533-3722 fax: 580-622-2058

#### CANADA SALES

8001 Edgar Industrial Avenue A1-Bay 1, Red Deer, Alberta T4P 3S2 phone: 403-348-0872 fax: 403-348-0873

#### COLORADO SALES & SERVICE

1423 4th Avenue, Grand Junction, Colorado 81501 phone: 970-609-5845 fax: 970-609-5839



PRICE INFORMATION EFFECTIVE JULY 1, 2008 REV. I

<b>Page</b>	<b>Product Description</b>
2	<b>Seal-O-Grip™ Pneumatic (Air Inflatable) Unions - for Mud Tanks / Manifolds</b>
3	<b>HammerSeal™ Tank Unions - for Mud Systems</b>
4	<b>Non - Freeze Valves - for Oilfield Storage Tanks</b>
5	<b>Model "B" (LPT End) Butterfly Valves</b>



## Seal - O - Grip Unions for Mud Tanks

LINE PIPE SIZE INCHES		PART NUMBER	WEIGHT POUNDS	PRICE
4"	<b>UNION COMPLETE</b>	<b>P480</b>	<b>5.30</b>	<b>429.20</b>
	INFLATABLE TUBE ONLY	P480-T	0.80	85.60
6"	<b>UNION COMPLETE</b>	<b>P680</b>	<b>23.0</b>	<b>429.20</b>
	INFLATABLE TUBE ONLY	P680-T	1.40	104.00
8"	<b>UNION COMPLETE</b>	<b>P880</b>	<b>27.0</b>	<b>507.10</b>
	INFLATABLE TUBE ONLY	P880-T	1.60	112.50
10"	<b>UNION COMPLETE</b>	<b>P1080</b>	<b>31.0</b>	<b>654.00</b>
	INFLATABLE TUBE ONLY	P1080T	2.40	136.70
12"	<b>UNION COMPLETE</b>	<b>P1280</b>	<b>38.5</b>	<b>818.30</b>
	INFLATABLE TUBE ONLY	P1280T	3.20	164.20
14"	<b>UNION COMPLETE</b>	<b>P1480</b>	<b>42.5</b>	<b>1027.20</b>
	INFLATABLE TUBE ONLY	P1480T	3.40	242.00
16"	<b>UNION COMPLETE</b>	<b>P1680</b>	<b>46.5</b>	<b>1047.30</b>
	INFLATABLE TUBE ONLY	P1680T	3.50	203.60

**Warranty and Shipping:** All Kemper Hammerseal Unions and Seal-O-Grip Unions are warranted to be free of defects in materials and workmanship. All shipments are F.O.B. Houston, Texas U.S.A. Prices are subject to change without notice.

# Hammerseal Unions for Mud Tanks

LINE PIPE SIZE INCHES		PART NUMBER	WEIGHT POUNDS	PRICE
<b>3"</b>	<b>UNION COMPLETE</b>	<b>PS300A</b>	<b>20</b>	<b>677.10</b>
	NUT	PS300N		360.70
	FEMALE SUB	PS300F		347.80
	O-RING	PS300R	0.50	57.20
<b>4"</b>	<b>UNION COMPLETE</b>	<b>PS400A</b>	<b>22</b>	<b>677.10</b>
	NUT	PS400N		360.70
	FEMALE SUB	PS400F		347.80
	O-RING	PS400R	0.50	57.80
<b>6"</b>	<b>UNION COMPLETE</b>	<b>PS600A</b>	<b>37</b>	<b>723.10</b>
	NUT	PS600N	14	419.20
	FEMALE SUB	PS600F		399.10
	O-RING	PS600R	0.75	60.70
<b>8"</b>	<b>UNION COMPLETE</b>	<b>PS800A</b>	<b>42</b>	<b>761.50</b>
	NUT	PS800N	18	491.70
	FEMALE SUB	PS800F		461.10
	O-RING	PS800R	1.00	68.10
<b>10"</b>	<b>UNION COMPLETE</b>	<b>PS100A</b>	<b>53</b>	<b>1080.90</b>
	NUT	PS100N	26	583.30
	FEMALE SUB	PS100F		562.60
	O-RING	PS100R	1.25	79.60
<b>12"</b>	<b>UNION COMPLETE</b>	<b>PS120A</b>	<b>61</b>	<b>1161.20</b>
	NUT	PS120N	28	637.00
	FEMALE SUB	PS120F		596.30
	O-RING	PS120R	1.50	92.40
<b>13"</b>	<b>UNION COMPLETE</b>	<b>PS130A</b>	<b>53</b>	<b>1547.20</b>
	NUT	PS130N		835.40
	FEMALE SUB	PS130F		804.60
	O-RING	PS130R	1.60	114.90
<b>14"</b>	<b>UNION COMPLETE</b>	<b>PS140A</b>	<b>83</b>	<b>1603.90</b>
	NUT	PS140N		975.20
	FEMALE SUB	PS140F		928.00
	O-RING	PS140R	1.75	121.60
<b>16"</b>	<b>UNION COMPLETE</b>	<b>PS160A</b>	<b>99</b>	<b>2967.20</b>
	NUT	PS160N		1646.50
	FEMALE SUB	PS160F		1619.90
	O-RING	PS160R	2.00	197.50
<b>18"</b>	<b>UNION COMPLETE</b>	<b>PS180A</b>		<b>4368.50</b>
	NUT	PS180N	58.2	2402.70
	FEMALE SUB	PS180F	43.1	2227.90
	O-RING	PS180R	1.70	266.30
<b>20"</b>	<b>UNION COMPLETE</b>	<b>PS200A</b>		<b>4958.80</b>
	NUT	PS200N		2727.40
	FEMALE SUB	PS200F		2529.10
	O-RING	PS200R		376.50

**Warranty and Shipping:** All Kemper Hammerseal Unions and Seal-O-Grip Unions are warranted to be free of defects in materials and workmanship. All shipments are F.O.B. Houston, Texas U.S.A. Prices are subject to change without notice.

# NON-FREEZE VALVES FOR STORAGE TANKS

		PART NUMBER	WEIGHT POUNDS	PRICE
	<b>COMPLETE VALVE ASSEMBLY</b>	<b>N-F200</b>	<b>16</b>	<b>592.10</b>
	VALVE BODY	N-F201		484.60
	VALVE SEAT GUIDE & RETAINER	N-F202		164.70
	HANDWHEEL YOKE	*N-F203		53.10
(5.08 cm)	PACKING ADJUSTMENT PLATE	N-F204		41.30
	HANDWHEEL	N-F205		105.70
<b>2"</b>	STAINLESS STEEL STEM	N-F206		216.00
	BRONZE STEM	NF206B		322.90
<b>VALVE</b>	<i>STEM GUIDE KEY</i>	*N-F207		28.30
	BUNA-N VALVE SEAT	N-F208		47.50
	BUNA-N GLAND PACKING	N-F209		27.30
	PACKING GLAND NUTS	*N-F210		3.70
	HANDWHEEL NUTS	N-F211		5.40
	YOKE RETAINER BOLTS	*N-F213		5.40
	<b>COMPLETE VALVE ASSEMBLY</b>	<b>N-F300</b>	<b>30</b>	<b>667.70</b>
	VALVE BODY	N-F201		605.80
	VALVE SEAT GUIDE & RETAINER	N-F302		180.70
	HANDWHEEL YOKE	*N-F203		53.10
(7.62 cm)	PACKING ADJUSTMENT PLATE	*N-F304		68.50
	HANDWHEEL	N-F305		122.90
<b>3"</b>	STAINLESS STEEL STEM	N-F306		242.10
	BRONZE STEM	NF306B		358.40
<b>VALVE</b>	<i>STEM GUIDE KEY</i>	*N-F207		28.30
	BUNA-N VALVE SEAT	N-F308		58.80
	BUNA-N GLAND PACKING	*N-F309		52.90
	PACKING GLAND NUTS	*N-F210		3.70
	HANDWHEEL NUTS	*N-F311		6.70
	YOKE RETAINER BOLTS	*N-F213		5.30

\*Interchangeable between 2 inch, and 3 inch valves.

Valves include a stainless steel stem.

Valve seats and gland packings available in Neoprene and Viton. Price on request.

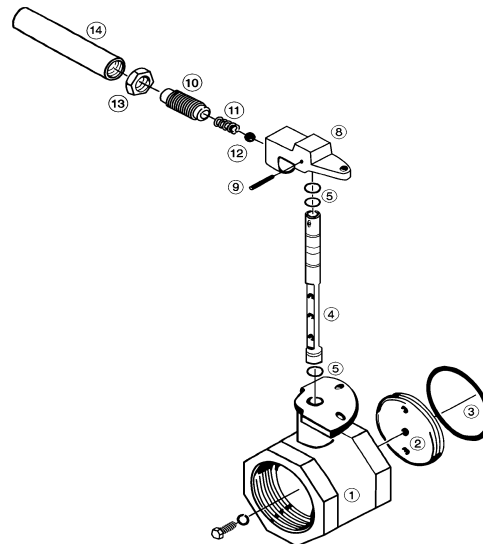
Valves are available with raised face flanges. Prices on request.

**Warranty and Shipping:** All Kemper Non-Freeze Valves for storage tanks are warranted to be free of defects in materials and workmanship. All shipments are F.O.B. Houston, Texas U.S.A.

Prices are subject to change without notice.

# Body Style Butterfly Valves

## MODEL "B" 150# WOG THREADED ENDS



		PART NUMBER	WEIGHT POUNDS	PRICE
2"	<b>COMPLETE VALVE WITH HANDLE</b>	<b>200</b>	<b>9.25</b>	<b>181.30</b>
	1	BODY	200-1	POR
	2	DISC (includes O-Ring, Fasteners, and Lockwashers)	200-2A	96.80
	3	DISC O-RING: BUNA-N	200-3	8.30
	4	STEM	200-4	65.10
	5	STEM O-RING (set of 3)	200-5	10.10
	8	HANDLE	200-8	28.30
	9	HANDLE PIN	230-9	5.30
	10	HANDLE STUB	234-10	10.10
	11	HANDLE SPRING	234-11	6.50
	12	HANDLE BALL	234-12	6.50
	13	HANDLE ADJUSTMENT NUT	234-13	5.30
	14	HANDLE EXTENSION	234-14	8.30
	3"	<b>COMPLETE VALVE WITH HANDLE</b>	<b>300</b>	<b>13.25</b>
1		BODY	300-1	POR
2		DISC (includes O-Ring, Fasteners, and Lockwashers)	300-2A	157.10
3		DISC O-RING: BUNA-N	300-3	10.10
4		STEM	300-4	73.80
5		STEM O-RING (set of 3)	300-5	11.20
8		HANDLE	300-8	28.30
9		HANDLE PIN	230-9	5.30
10		HANDLE STUB	234-10	10.10
11		HANDLE SPRING	234-11	6.50
12		HANDLE BALL	234-12	6.50
13		HANDLE ADJUSTMENT NUT	234-13	5.30
14		HANDLE EXTENSION	234-14	8.30
4"		<b>COMPLETE VALVE WITH HANDLE</b>	<b>400</b>	<b>21.50</b>
	1	BODY	400-1	POR
	2	DISC (includes O-Ring, Fasteners, and Lockwashers)	400-2A	196.50
	3	DISC O-RING: BUNA-N	400-3	13.00
	4	STEM	400-4	76.90
	5	STEM O-RING (set of 3)	400-5	13.00
	8	HANDLE	400-8	28.30
	9	HANDLE PIN	400-9	5.30
	10	HANDLE STUB	234-10	10.10
	11	HANDLE SPRING	234-11	6.50
	12	HANDLE BALL	234-12	6.50
	13	HANDLE ADJUSTMENT NUT	234-13	5.30
	14	HANDLE EXTENSION	234-14	8.30

**NOTE:** All Valves available with "Viton" trim

**ILLINOIS MANUFACTURING & ENGINEERING**

P.O. BOX 400  
WAUCONDA, ILLINOIS 60084  
Phone: 847-526-2166  
Toll Free: 800-323-1659  
Fax: 847-526-2241

**TEXAS SALES:**  
DISTRIBUTION & FLOWLINE

5650 GUHN ROAD, SUITE 110  
HOUSTON, TEXAS 77040  
Phone: 713-462-1665  
Toll Free: 800-231-2724  
Fax 713-462-1626

**OKLAHOMA SALES:**  
FLOWLINE & RECERTIFICATION

2733 INDUSTRIAL DR.  
SULPHUR, OK. 73086  
Phone: 580-622-2048  
Toll Free 888-533-FRAC  
Fax: 580-622-2058

**COLORADO SALES:**  
DISTRIBUTION & FLOWLINE

1423 4TH AVE.  
GRAND JUNCTION, CO 81501  
Phone: 970-609-5845  
Fax: 970-609-5839

**CANADIAN SALES:**  
DISTRIBUTION & FLOWLINE

8001 EDGAR INDUSTRIAL AVE.  
RED DEER, ALBERTA T4P 3S2  
Phone: 403-348-0872  
Fax: 403-348-0873

**WEST TEXAS SALES:**  
DISTRIBUTION & FLOWLINE

Phone: 915-563-1041  
Fax: 915-563-1042

**UTAH SALES:**  
DISTRIBUTION & FLOWLINE

Phone: 435-781-8258  
Fax: 435-781-3037

**REVISION NOTES:**

**REV. B:** FIRST RELEASE

**REV. C:** ADDED HAMMERSEAL SPARE PARTS

**REV. D:** MAJOR REVISION 9-10-04

**REV. E:** MAJOR REVISION 1-1-07

**REV. F:** ROUNDING PRICE CORRECTION 1-4-07

**REV. G:** REMOVED WAFER & LUG BUTTERFLY VALVES

**REV. H:** SUPERCEDES OW-0708, REMOVED 4" NON-FREEZE VALVES, MODIFIED BACKPAGE

**REV. I:** REMOVED COMBINATION FLOW TEES AND HIGH PRESSURE TRANSDUCERS